

HZ
—



Automatic Flush Bolt

The HZ Automatic Flush Bolt provides the solution for all double-leaf doors, particularly for fire and smoke check doors.

With just a simple action, the active leaf can be opened via the lock control, which simultaneously unlocks the inactive leaf allowing it to be opened.

F Verification of suitability

The inactive leaf locks HZ 43-F, HZ 34, HZ 33F, HZ 31, HZ 27 and HZ 26 have been certified by the State Materials Testing Office, Dortmund, for use on double-leaf fire and smoke control doors.

Approval verification is required in conjunction with the relevant fire and smoke check door.

Benefits

- Automatic locking and unlocking of inactive leaf.
- Various versions for different installation situations.
- Optimal adaptation to structural realities through adjustable spindle and locking plate unit (HZ 43-F).
- Suitable for use in fire and smoke check doors.

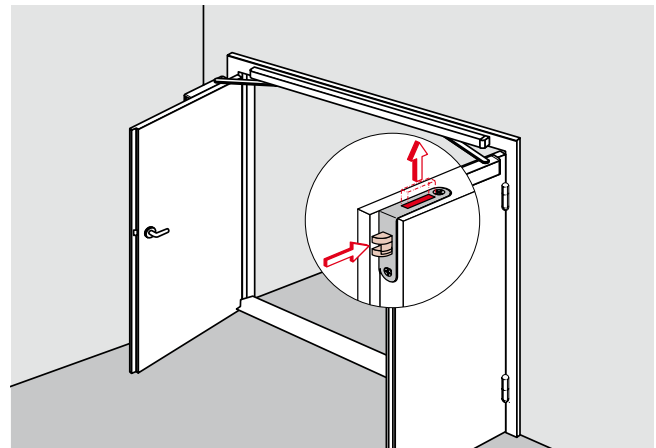
Data and features		HZ 43-F	HZ 34	HZ 33F	HZ 31	HZ 27	HZ 26
Solid doors		●	●	–	●	●	●
Metal-framed doors		●	–	●	–	●	–
Handing	LH/ISO 6	●	●	●	●	–	–
	RH/ISO 5	●	●	●	●	–	–
	Non handed	–	–	–	–	●	●
Top mounted		●	●	●	●	●	●
Bottom mounted		○	○	○	○	–	–
Split, adjustable spindle		●	–	–	–	–	–
Flexibly mounted latch bolt		●	–	–	–	–	–
Adjustable locking plate unit		●	–	–	–	–	–

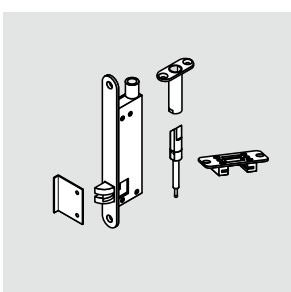
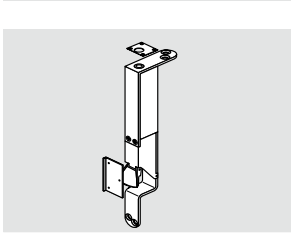
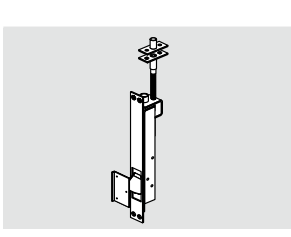
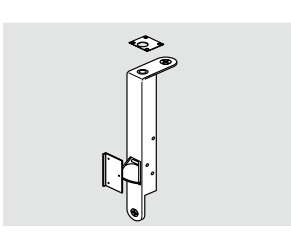
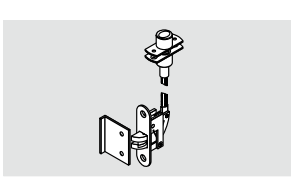
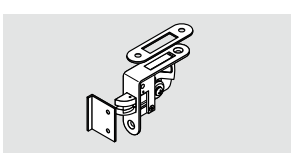
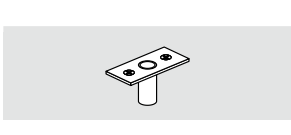
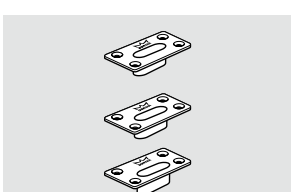
● = yes – = no ○ = optional

Function

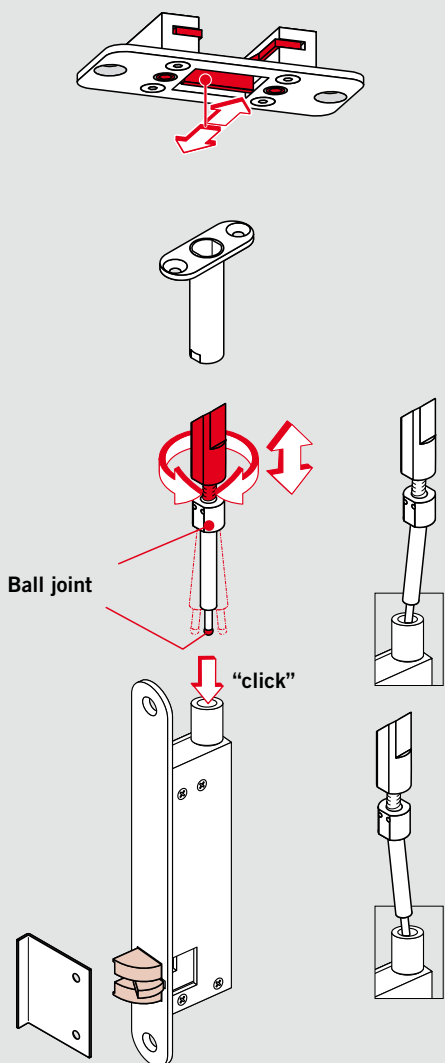
The inactive leaf can be unlocked simultaneously when the active leaf is opened. The door co-ordinator guarantees that the inactive leaf will close before the active leaf. The inactive leaf engages the latch on the HZ Automatic Flush Bolt, which causes the bolt to shoot and lock the inactive leaf.

Example:
Door co-ordinator DORMA TS 93 GSR and HZ 26 Automatic Flush Bolt.

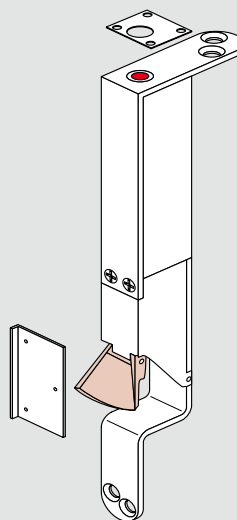


	Specification text	Order No.
	<p>HZ Automatic flush bolts for automatic locking and unlocking of the inactive leaf in double-leaf doors. Specifically suited for fire and smoke check doors.</p>	
	<p>HZ 43-F For metal-framed and solid doors, LH/RH, cranked latch, backset 35 mm, stainless steel forend 22/24 (w) x 3 (t) mm, split and adjustable spindle, twice flexible mounting, adjustable latch bolt, incl. adjustable locking plate</p> <ul style="list-style-type: none"> <input type="checkbox"/> HZ 43-F22 for LH/ISO 6 top / RH/ISO 5 bottom installation 15199002 <input type="checkbox"/> HZ 43-F22 for RH/ISO 5 top / LH/ISO 6 bottom installation 15199003 <input type="checkbox"/> HZ 43-F24 for LH/ISO 6 top / RH/ISO 5 bottom installation 15199004 <input type="checkbox"/> HZ 43-F24 for RH/ISO 5 top / LH/ISO 6 bottom installation 15199005 	
	<p>HZ 34 For solid doors, LH/RH with radius latch, forend 18 (w) x 3 (t) mm, galvanized, with locking bolt (∅ 12 mm)</p> <ul style="list-style-type: none"> <input type="checkbox"/> for LH/ISO 6 top / RH/ISO 5 bottom installation 15913401 <input type="checkbox"/> for RH/ISO 5 top / LH/ISO 6 bottom installation 15913402 	
	<p>HZ 33F For metal-framed doors, LH/RH with radius latch, forend 24 (w) x 2 (t) mm, galvanized, with spring-loaded locking bolt (∅ 12 mm), backset 33 mm</p> <ul style="list-style-type: none"> <input type="checkbox"/> for LH/ISO 6 top / RH/ISO 5 bottom installation 15913301 <input type="checkbox"/> for RH/ISO 5 top / LH/ISO 6 bottom installation 15913302 	
	<p>HZ 31 For solid doors, LH/RH with radius latch, forend 20 (w) x 2 (t) mm, galvanized, with locking bolt (∅ 12 mm)</p> <ul style="list-style-type: none"> <input type="checkbox"/> for LH/ISO 6 top / RH/ISO 5 bottom installation 15913101 <input type="checkbox"/> for RH/ISO 5 top / LH/ISO 6 bottom installation 15913102 	
	<p>HZ 27 For metal-framed and solid doors, non-handed with reversible latch, forend 25 (w) x 2 (t) mm, galvanized, for top fitting</p>	15912700
	<p>HZ 26 For solid doors, non-handed with reversible latch, forend 25 (w) x 2 (t) mm, galvanized, for top fitting</p>	15912600
	<p>HZ 17 Dust-protected floor socket, galvanized, stainless steel spring for HZ 34, HZ 33F and HZ 31</p>	15911700
	<p>PHA 2122 Floor keep for HZ 43-F, HZ 34, HZ 33F and HZ 31 Variants:</p> <ul style="list-style-type: none"> PHA 2122-0 (0 mm) 3501421220000 PHA 2122-1 (-2 mm) 3501421222000 PHA 2122-4 (-4 mm) 3501421224000 	

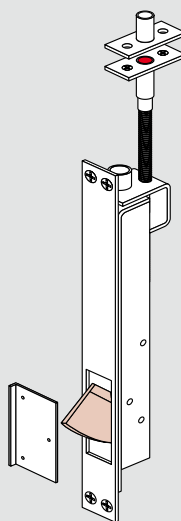
HZ 43-F



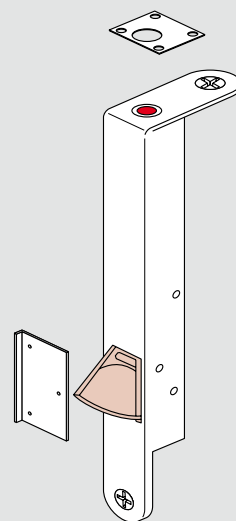
HZ 34



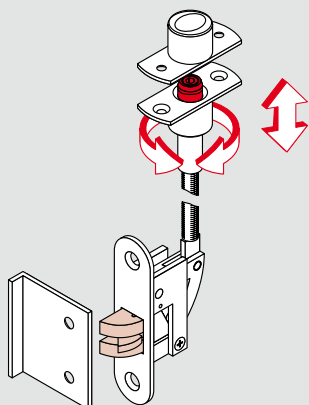
HZ 33F



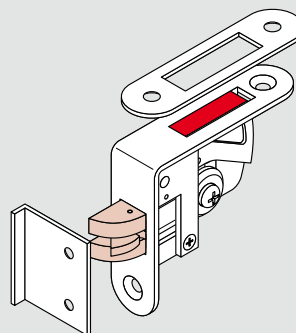
HZ 31



HZ 27



HZ 26





DORMA GmbH+Co. KG
DORMA Platz 1
58256 ENNEPITAL
GERMANY
Phone +49 2333 793-0
Fax +49 2333 793-4950
www.dorma.com