

GALIPLUS 2

MECHANISMS FOR TILT AND TURN








 Made in Italy

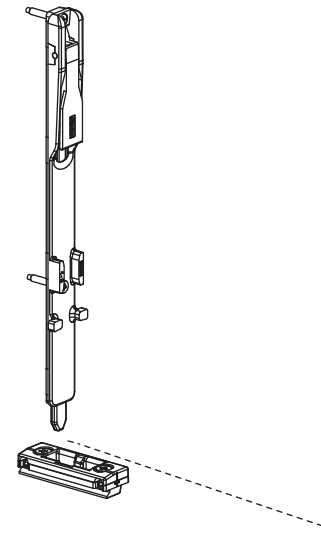
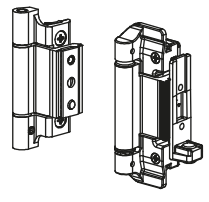
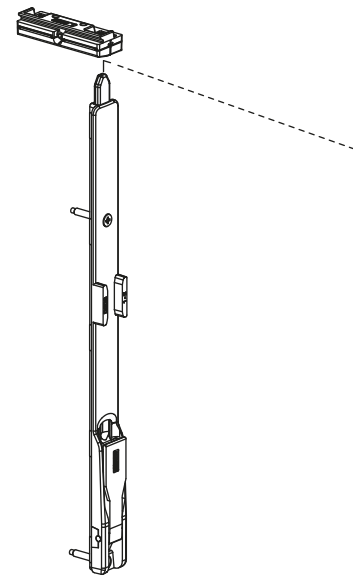
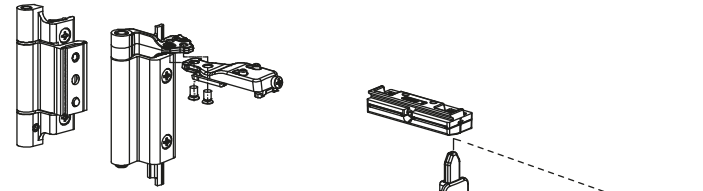
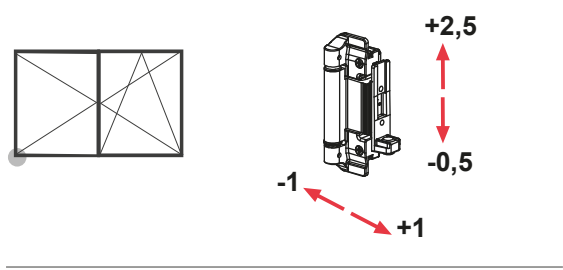
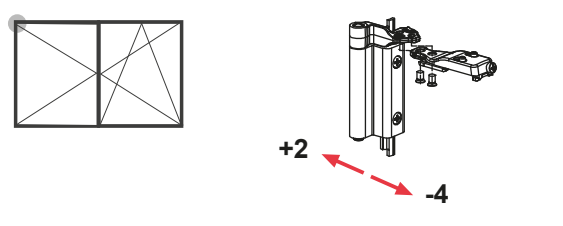
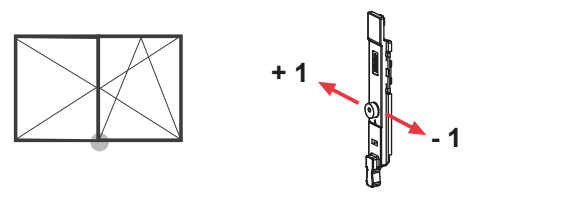
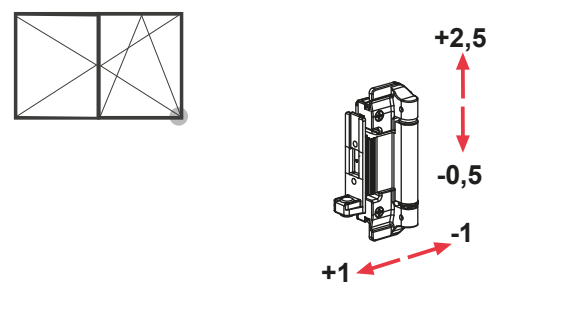
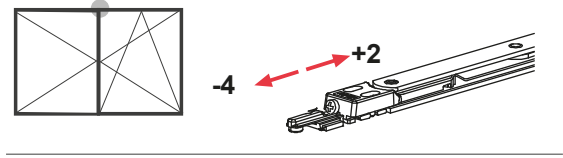
fapim[®]
Life in evolution

GALIPLUS 2

MECHANISMS FOR TILT AND TURN

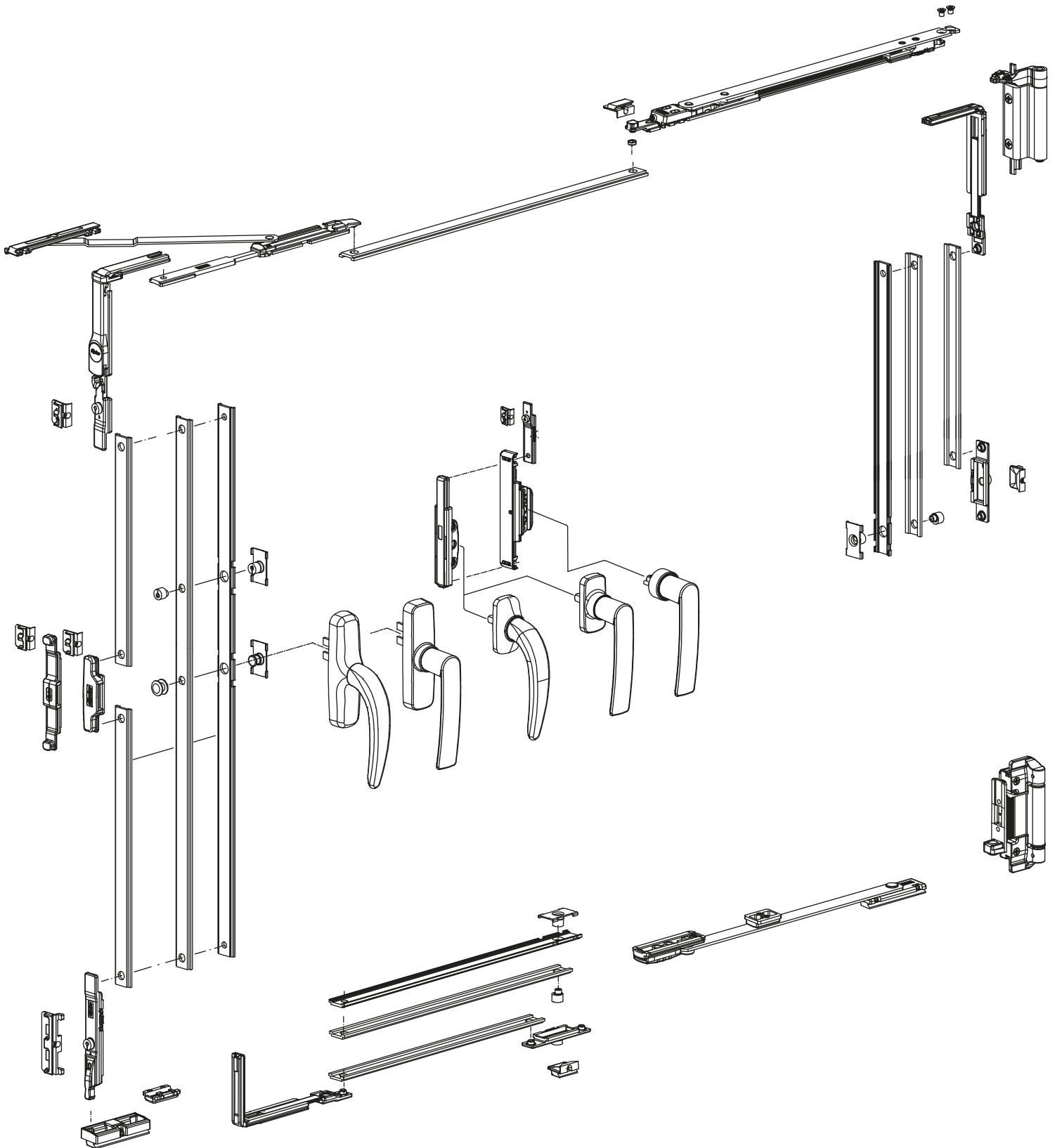
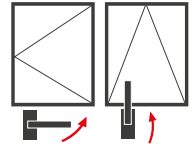
		10x14.5		13.6x16.8
		12x15		14x18


 **KG 130**



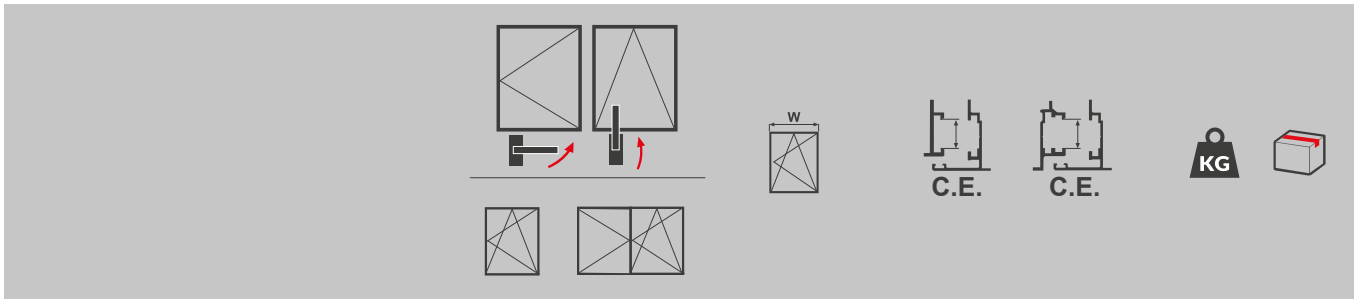
GALIPLUS 2

MECHANISMS FOR TILT AND TURN

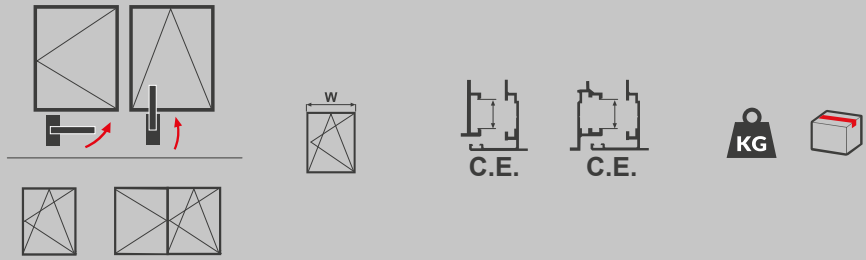


GALIPLUS 2

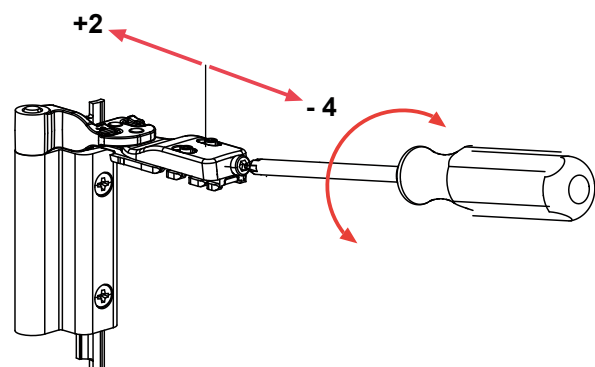
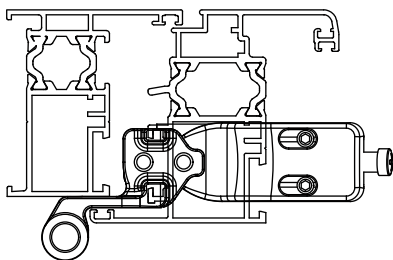
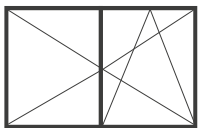
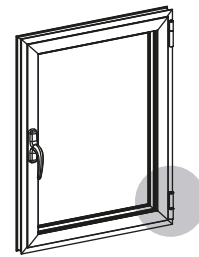
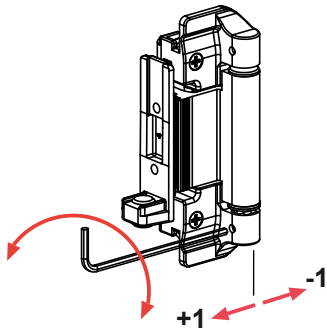
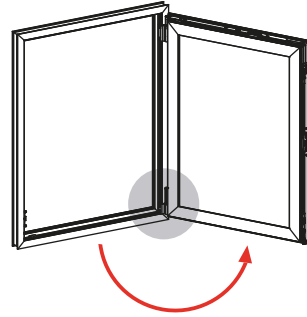
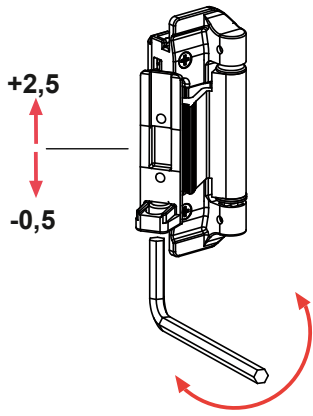
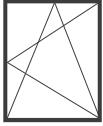
MECHANISMS FOR TILT AND TURN

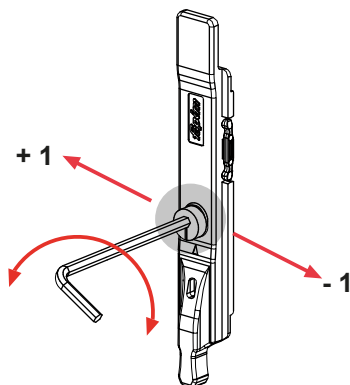
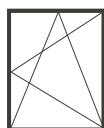
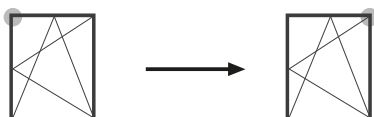
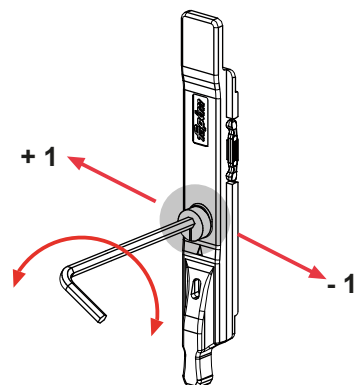
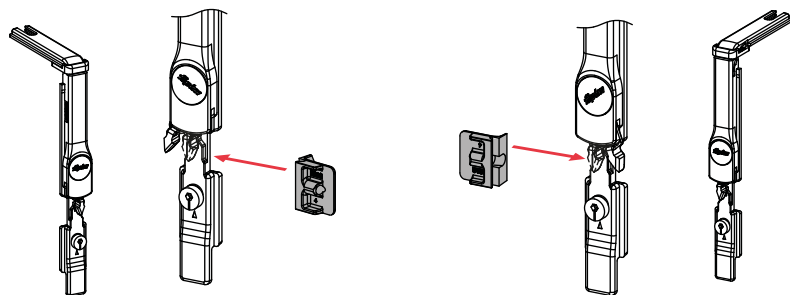
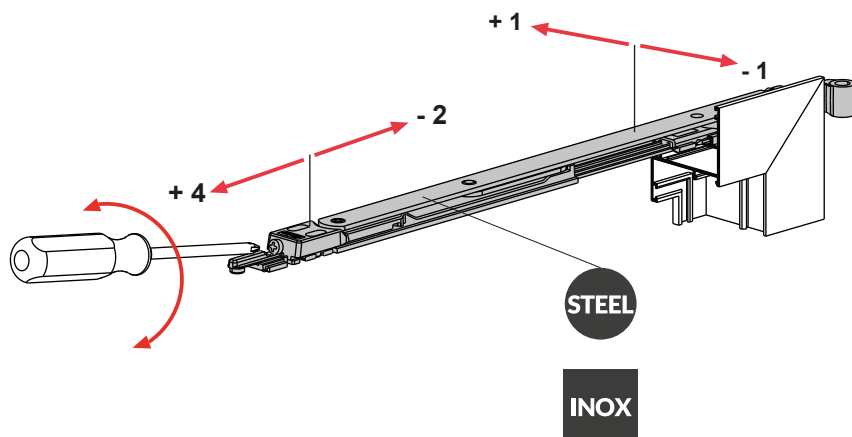
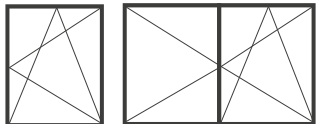


	1405	●	●					10
	1406		●					50
	1449	●	●	364 ÷ 700	10x14.5 12x15 13.6x16.8 14x18		130	10
	1449A	●	●	402 ÷ 750				
	1450A	●	●	562 ÷ 1200				
	1451	●	●	816 ÷ 1700				
	1455	●	●	1200 ÷ 1700				
	1459	●	●	364 ÷ 800				10
	1459B	●	●	800 ÷ 1700				10
								10
	1480	●	●					10
	1481	●	●					10
	1482A		●			13.6x16.8 14x18		10
	1483A	●		402 ÷ 750	10x14.5 12x15 13.6x16.8 14x18			10
	1483B			562 ÷ 1200				
	1483C			816 ÷ 1700				
	1495Ai	●	●		10x14.5 12x15 13.6x16.8 14x18			50
	1497A	●	●					10
	1501		●		10x14.5 12x15 13.6x16.8 14x18			10
	1503		●			13.6x16.8 14x18		10
	1503A		●			13.6x16.8 14x18		10
	1503B		●			13.6x16.8 14x18		10



	1508		●			13.6x16.8 14x18 15x20		10
	1509A					13.6x16.8		20
	1509B		●			14x18		
	1509C					15x20		
	1558	●	●					50
	ZM 1559	●	●					50
	PA 1559A	●	●					
	1563i	●	●					100
	1565i6	●	●					100
	1566A	●	●		10x14.5 12x15 13.6x16.8 14x18	10x14.5 12x15 13.6x16.8 14x18		50
	1581A	●	●					50
	1585	●	●					50
	1593i	●	●					100
	1596C	●	●					50
	1596i6	●	●					100
	1597i	●	●					100
	1597A	●	●					50
	1618	●						50
	1620		●					50
	1622		●					50
	1626		●			10x14.5 12x15 13.6x16.8 14x18		10
	1636	●	●					50
	1636A	●	●					50
	1636C	●	●		10x14.5 12x15 13.6x16.8 14x18			50
	4134		●					100
	9826		●					50





fapim[®]

Fapim S.p.A.
Via delle Cerbaie, 114
55011 Altopascio (LU) Italy
T +39 0583 2601 F+39 0583 25291
www.fapim.it info@fapim.it
Cod.Fisc. e Part.I.V.A. 02224030466

DOMATIC[®]

DOMATIC
info@domatic.it www.domatic.it

fapim

BENELUX

Fapim Benelux s.r.l.
Avenue Rue St. Roch , 17
7712 Herseaux Belgium
T +32 56 340548
T +32 56 341960
info@fapimbenelux.be

fapim

HISPANIA

Fapim Hispania s.L.
C/edison, esq. A. Ingeniero
Goicoechea 45600
Parcela, 74
Talavera De la Reina (Espana)
T +34 925 828357
F +34 925 841148
administración@fapimhispania.com
pedidos@fapimhispania.com

fapim

POLSKA

Fapim Polska sp. z o.o.
ul.Przyrzeczce 4 03-107
WarszawaNIP : 536-16-29-437
T +48 227813797
F +48 227811022
Gsm 609022972

fapim

RUSSIA

Fapim RU llc
Kaluzhskaya Region
Province Borovskiy, 99km.
main way "Ukraina", building 4A
T +7 48439 97207
info@fapimru.ru

fapim[®]

ARGENTINA

Fapim Argentina S.A.
CUIT: 30-71206299-8
Calle Gral Alvear N° 411 - 1°
Piso of 1 (B1640EWC) Martinez
Pdo. de San Isidro
Buenos Aires - Argentina
T (+54) (11) 4897-0062
y Líneas Rotativas

